

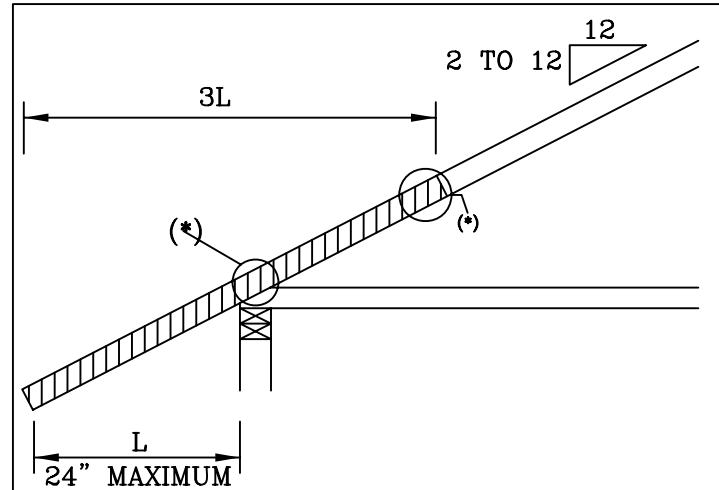
SCAB 2X4 OVERHANG DETAIL

MINIMUM 2X4 SCAB, SAME GRADE AND SPECIES AS TOP CHORD DESIGNATED ON ENGINEER'S SEALED DESIGN AND THREE TIMES THE OVERHANG LENGTH. ATTACH OVERHANG SCAB TO ONE FACE OF TOP CHORD WITH MINIMUM 0.128" DIA. x 3.0" LENGTH NAILS (I.E. 10d (0.148"x3") OR 16d COMMON (0.162"x3.5"), SINKER (0.148"x3.25"), GUN (0.162"), OR 16d BOX (0.135"x3.5") NAILS) AT 8" O.C. PLUS CLUSTERS OF FOUR NAILS WHERE SHOWN IN FIGURE AT RIGHT.(*)

120 mph wind, 30.00 ft mean hgt, ASCE 7-05, CLOSED bldg, Located anywhere in roof, CAT II, EXP C, wind TC DL=4.2 psf, wind BC DL=6.0 psf, Kzt = 1.00 (creates 210# uplift (max.))

NOTE: Check uplift differentials

NOTE: #2 is the minimum lumber grade allowed for all species.



Building Components Group Inc.

Earth City, MO 63045

****WARNING** READ AND FOLLOW ALL NOTES ON THIS SHEET**
Trusses require extreme care in fabricating, handling, shipping, installing and bracing. Refer to and follow BCSI (Building Component Safety Information, by TPI and WTCA) for safety practices prior to performing these functions. Installers shall provide temporary bracing per BCSI. Unless noted otherwise, top chord shall have properly attached structural panels and bottom chord shall have a properly attached rigid ceiling. Locations shown for permanent lateral restraint of webs shall have bracing installed per BCSI sections B3 & B7. See this job's general notes page for more information.

****IMPORTANT** FURNISH COPY OF THIS DESIGN TO INSTALLATION CONTRACTOR.**
ITW Building Components Group Inc. (ITWBCG) shall not be responsible for any deviation from this design, any failure to build the truss in conformance with TPI, or fabricating, handling, shipping, installing & bracing of trusses. ITWBCG connector plates are made of 20/18/18GA (W.H./S/R) ASTM A653 grade 37/40/60 (K/W/H/S) galv. steel. Apply plates to each face of truss, positioned as shown above and on Joint Details. A seal on this drawing or cover page indicates acceptance and professional engineering responsibility solely for the truss component design shown. The suitability and use of this component for any building is the responsibility of the Building Designer per ANST/TPI 1 Sec. 2.

ITW-BCG: www.itwbcg.com; TPI: www.tpinst.com; WTCA: www.sbcindustry.com; ICC: www.iccsafe.org

TOTAL TOP CHORD
LOAD NOT TO
EXCEED 40 PSF
(DEAD PLUS LIVE)

DUR. FAC. 1.15/1.25

SPACING 24"

REF 2X4 SCAB O.H.

DATE 1/1/09

DRWG OHSCB2X40109